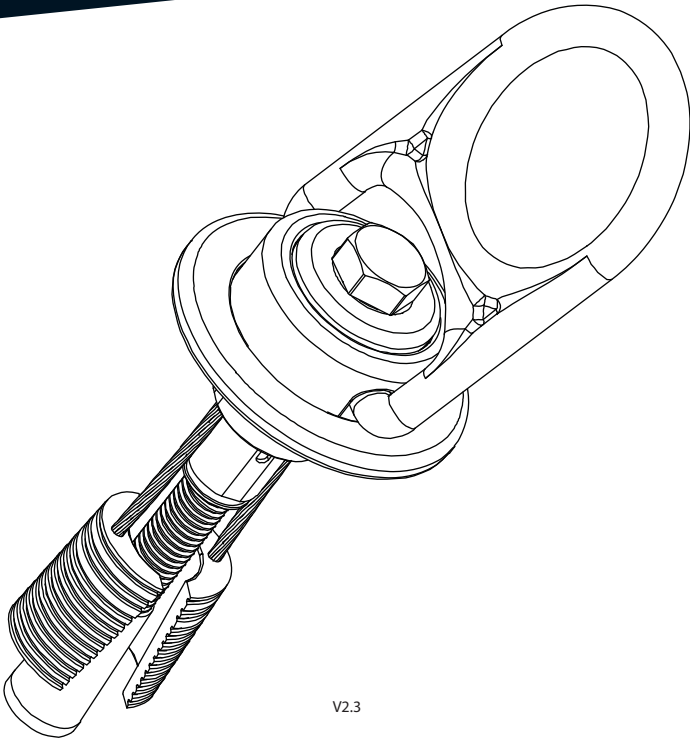


ClimbTech



V2.3

OPERATION AND INSTRUCTION MANUAL 39mm Mining Hybrid Model: SWHM39Y



IMPORTANT!!!

ALL PERSONS USING THIS EQUIPMENT MUST READ AND UNDERSTAND ALL INSTRUCTIONS. FAILURE TO DO SO MAY RESULT IN SERIOUS INJURY OR DEATH. USERS SHOULD BE FAMILIAR WITH PERTINENT REGULATIONS GOVERNING THIS EQUIPMENT. ALL INDIVIDUALS WHO USE THIS PRODUCT MUST BE PROPERLY INSTRUCTED ON HOW TO USE THIS DEVICE.

Read This Instruction Manual Carefully Before Using This Equipment.

User Instructions must always be available to the user and are not to be removed except by the user of this equipment. For proper use, see supervisor, User Instructions, or contact the manufacturer.



Compliant fall protection and emergency rescue systems help prevent serious injury during fall arrest. Users and purchasers of this equipment must read and understand the User Instructions provided for correct use and care of this product. All users of this equipment must understand the instructions, operation, limitations and consequences of improper use of this equipment and be properly trained prior to use per OSHA 29 CFR 1910.66 and 1926.503 or applicable local standards.

Misuse or failure to follow warnings and instructions may result in serious personal injury or death.

PURPOSE

The SWHM39Y is an anchorage connector designed to function as an interface between the anchorage and a fall protection, work positioning, rope access, or rescue system for the purpose of coupling the system to the anchorage. Any references to “anchorage connector” in this manual include, and apply to, the SWHM39Y.

USE INSTRUCTIONS

1. Before using a personal fall arrest system, user must be trained in accordance with the requirements of OSHA 29 CFR 1910.66 in the safe use of the system and its components.
2. Use only with ANSI/OSHA compliant personal fall arrest or restraint systems. The anchorage must have the strength capable of supporting a static load, applied in the directions permitted by the system, of at least 10,000-lbf (44kN) in the absence of certification.
3. Use of this product must be approved by an Engineer or other qualified person to be compatible with any and all structural & operational characteristics of the selected installation location and system to be connected to this anchorage connector. **Improper use may result in serious personal injury or death.**
4. The anchorage connector must be inspected prior to each use for wear, damage, and other deterioration. If defective components are found the anchorage connector must be immediately removed from service, in accordance with the requirements of OSHA 29 CFR 1910.66 and 1926.502.
5. The complete fall protection system must be planned (including all components, calculating fall clearance, and swing fall) before using.
6. A rescue plan, and the means at hand to implement it, must be in place that provides the prompt rescue of users in the event of a fall, or assures that users are able to rescue themselves.
7. After a fall occurs the anchorage connector must be removed from service and destroyed immediately.

USE LIMITATIONS

1. The anchorage connector is designed for up to two users at one time as part of a flexible horizontal lifeline system with a capacity up to 310 lbs (140kg) per user including clothing, tools, etc. (See anchorage requirements in the User Instructions for the flexible horizontal lifeline system).
2. The anchorage connector may be pulled in any direction shown in the **LOADING CONDITIONS DIAGRAM**.
3. The anchorage connector is designed to be used in temperatures ranging from -40°F to +130°F (-40°C to +54°C).
4. Do not expose the anchorage connector to chemicals or harsh solutions which may have a harmful effect.
5. Do not alter or modify this product in anyway.
6. Caution must be taken when using any component of a fall protection, work positioning, rope access, or rescue system near moving machinery, electrical hazards, sharp edges, or abrasive surfaces, as contact may cause equipment failure, personal injury, or death.
7. Do not use/install equipment without proper training by a “competent person” as defined by OSHA 29 CFR 1926.32(f).
8. Do not remove the labeling from this product.
9. Additional requirements and limitations may apply depending on anchorage type and fastening option utilized for installation. All placements must be approved by an engineer or other qualified person. **Improper use may result in serious personal injury or death.**

COMPATIBILITY LIMITATIONS

The anchorage connector must only be coupled to compatible connectors. OSHA 29 CFR 1926.502 prohibits snaphooks from being engaged to certain objects unless two requirements are met: it must be a locking type snaphook, and it must be “designed for” making such a connection. “Designed for” means that the manufacturer of the snaphook specifically designed the snaphook to be used to connect to the equipment listed. The following connections must be avoided, because they can result in rollout* when a nonlocking snaphook is used:

- Direct connection of a snaphook to horizontal lifeline.
- Two (or more) snaphooks connected to one D-ring.
- Two snaphooks connected to each other.
- A snaphook connected back on its integral lanyard.
- A snaphook connected to a webbing loop or webbing lanyard.
- Improper dimensions of the D-ring, rebar, or other connection point in relation to the snaphook dimensions that would allow the snaphook keeper to be depressed by a turning motion of the snaphook.

***Rollout: A process by which a snaphook or carabiner unintentionally disengages from another connector or object to which it is coupled. (ANSI Z359.1-2007)**

MAINTENANCE, CLEANING AND STORAGE

Cleaning periodically will prolong the life and proper functioning of the product. The frequency of cleaning should be determined by inspection and by severity of the environment. Clean with compressed air and/or a stiff brush using plain water or a mild soap and water solution. Do not use any corrosive chemicals that could damage the product. Wipe all surfaces with a clean dry cloth and hang to dry, or use compressed air. When not in use, store anchorage connectors in a cool, dry, clean environment, out of direct sunlight and free of corrosive or other degrading elements.

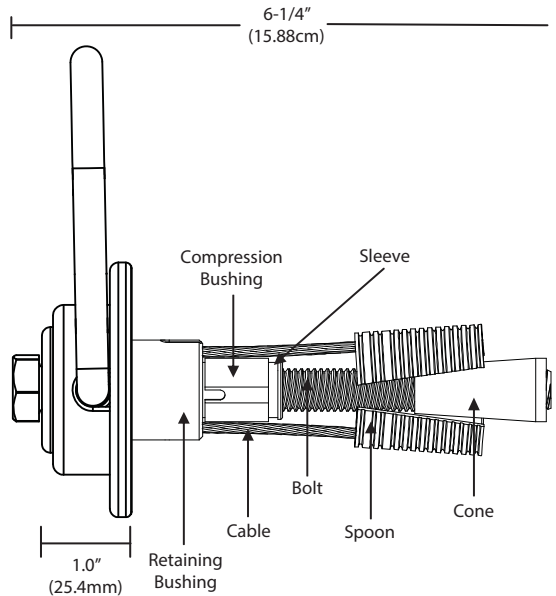
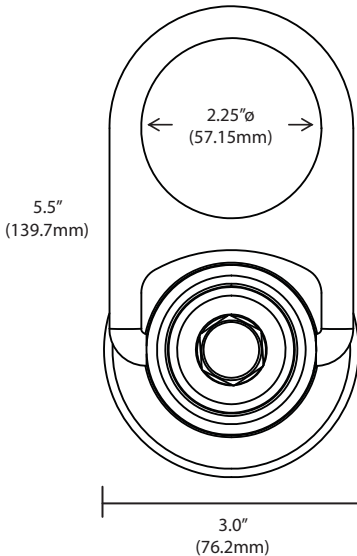
39mm Mining Hybrid
Zinc Plated Steel
Max Capacity:
(1) person 310-lbs

ClimbTech
Model: SWHM39Y
1(512) 308-6440



WARNING: All persons using this equipment must read, understand and follow all instructions. Failure to do so may result in serious injury or death. **(INSPECT BEFORE USE)**
COMPLIANCE: OSHA 1910.66 & 1926.502

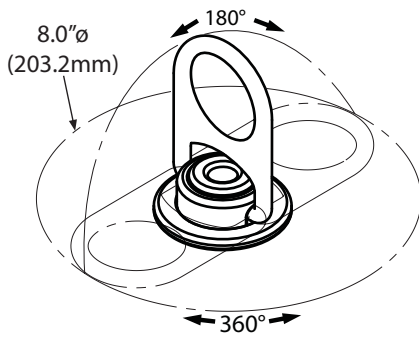
Tensile Strength (UTS): 10,000-lbf (44kN)
Maximum Capacity: See "Use Limitations"
Weight: 2.4-lbs (1070g)
Regulatory Compliance
OSHA 1910.66 , 1926.502



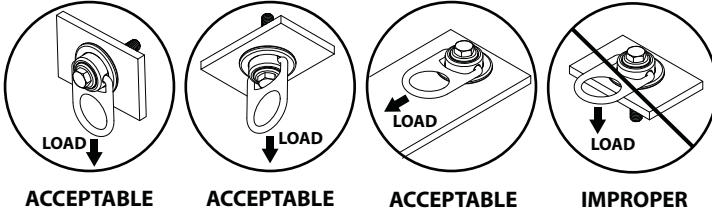
COMPONENT MATERIALS:

Compression Bushing: Polyethylene.
Retaining Bushing: Zinc Plated Steel.
Cone: Stainless Steel.
Spoons: Stainless Steel.

Bolt: Zinc Plated Steel.
Sleeve: Zinc Plated Steel.
Return Wire: Aircraft Cable.
Swivel: Zinc plated steel.



LOADING CONDITIONS DIAGRAM



ACCEPTABLE

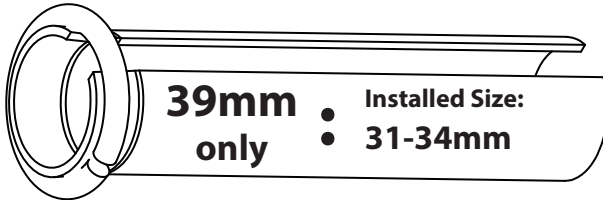
ACCEPTABLE

ACCEPTABLE

IMPROPER

IMPORTANT!!!

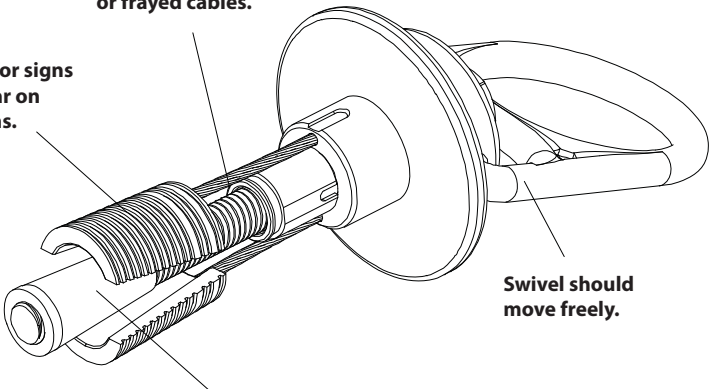
*Installation location of the friction rock bolt to be able to handle a 10,000-lbf (44kN) load and be approved by a qualified person.



(INSPECT BEFORE USE)

Check for kinked or frayed cables.

Look for signs of wear on Spoons.

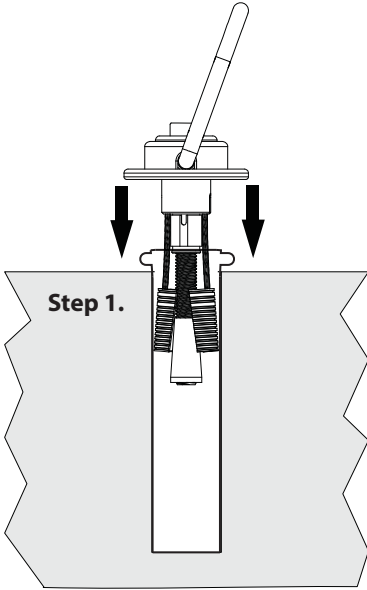


Swivel should move freely.

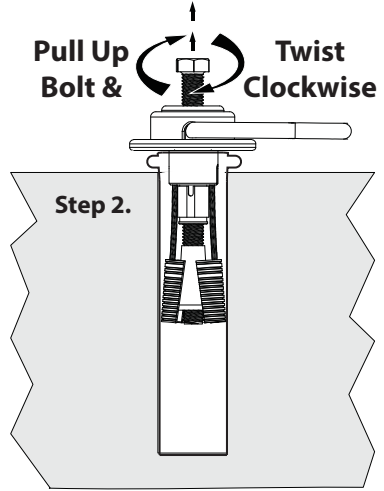
Check for deformation of cone.

INSTALLATION

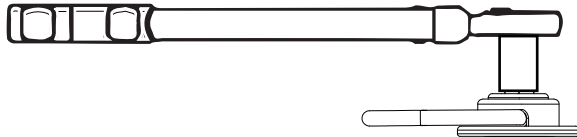
1. Before installing make sure the cone is below the spoons. Insert the anchor into the hole so base plate rests flat on top of the friction rock bolt surface.



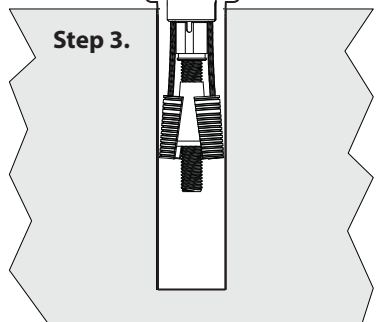
2. Pull up on the bolt while holding swivel flush with the friction rock bolt. Tighten the bolt on the swivel by turning it clockwise by hand until bolt is tightened flush to swivel.



3. Use a torque wrench to set the pretension on the bolt for the loading situation required for the application.

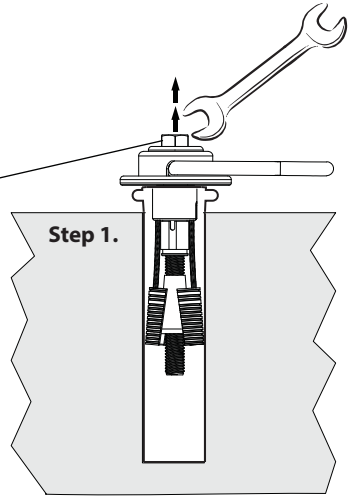
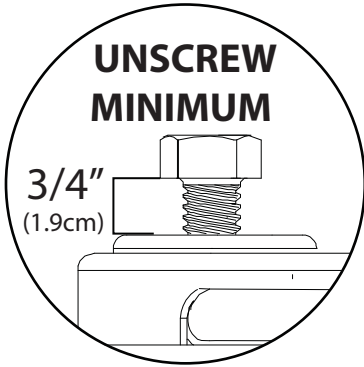


LOAD:	BOLT TORQUE:
10,000-lbf (44 kN)	85-ft-lbs (9.60 Nm)
5,000-lbf (22 kN)	30-ft-lbs (3.38 Nm)

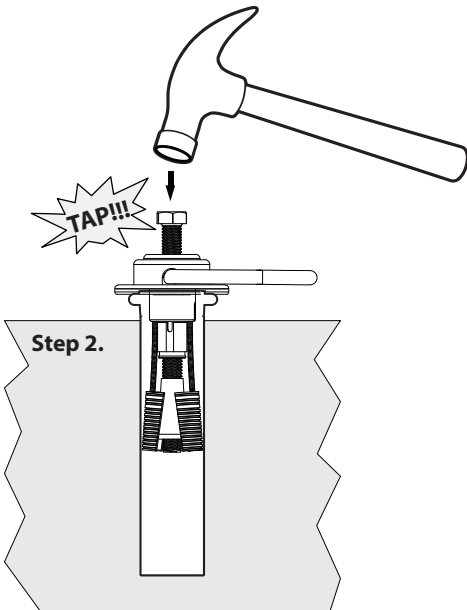


REMOVAL

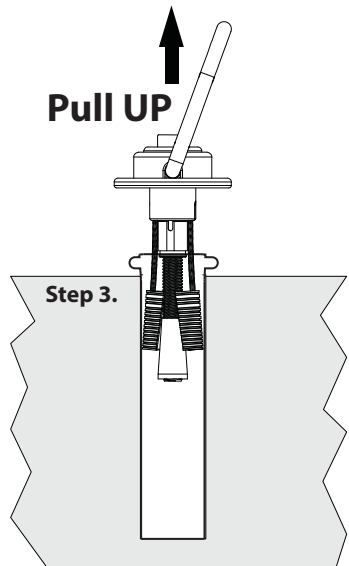
1. Loosen bolt so that at least 3/4" (1.9cm) of threads are exposed.



2. Use a hammer to tap down bolt and disengage cone from the spoons.



3. Pull the anchor from the hole.



WORK SURFACE

(ANCHOR POINT)

WORK SURFACE

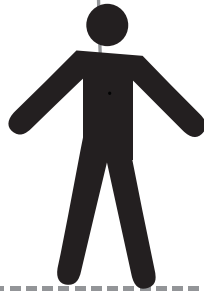
Free fall distance (limit) must not exceed 6' (1.8 m).

****All products subjected to fall arresting forces should be removed from service immediately!***

MINIMUM CLEARANCE 3ft (1m)

DECK/FLOOR/GROUND LEVEL

WARNING!!! SWING FALLS CAN OCCUR WHEN THE WORKER IS NOT DIRECTLY UNDER ANCHOR POINT.



INSPECTION AND MAINTENANCE LOG

MODEL NUMBER: _____

DATE OF MANUFACTURE: _____

Date	Part Number	Comments	Inspector Name

Inspection:

Official periodic inspection must be made at least annually. The inspection must be performed by a qualified person other than the intended user. If severe conditions exist then inspections must be carried out more frequently. All inspection results must be logged in the space provided above.

1. Inspect Swivel to make sure it is flush with mounting surface.
2. Make sure all labeling is affixed to the unit.
3. Inspect anchoring system for signs of damage or wear to spoons or cone.
4. Make sure the unit can rotate 360° and D-ring can flip from side to side.
5. When reusing a previously drilled hole, inspect for debris or wallowing.
6. Record inspection results in the space provide above.

***If any damage that could affect the strength or operation of the device, or unsafe conditions are found, proper disposal is required. The anchorage connector must be rendered unusable and then properly discarded.**

Product Warranty, Limited Remedy and Limitation of Liability

WARRANTY: THE FOLLOWING IS MADE IN LIEU OF ALL WARRANTIES OR CONDITIONS, EXPRESS OR IMPLIED, INCLUDING THE IMPLIED WARRANTIES OR CONDITIONS OF MERCHANTABILITY OR FITNESS FOR A PARTICULAR PURPOSE. Equipment offered by ClimbTech is warranted against factory defects in workmanship and materials for a period of one year from date of purchase or first use by the original owner.

LIMITED REMEDY: Upon notice in writing, ClimbTech will repair or replace all defective items at ClimbTech's sole discretion. ClimbTech reserves the right to require that the defective item be returned to its plant for inspection before determining the appropriate course action. Warranty does not cover equipment damage resulting from wear, abuse, damage in transit, failure to maintain the product or other damage beyond the control of ClimbTech. ClimbTech shall be the sole judge of product condition and warranty options. This warranty applies only to original purchaser and is the only warranty applicable to this product. Please contact ClimbTech technical service department for assistance.

LIMITATION OF LIABILITY: IN NO EVENT WILL CLIMBTECH BE LIABLE FOR ANY INDIRECT, INCIDENTAL, SPECIAL OR CONSEQUENTIAL DAMAGES INCLUDING, BUT NOT LIMITED TO LOSS OF PROFITS, IN ANY WAY RELATED TO THE PRODUCTS REGARDLESS OF THE LEGAL THEORY ASSERTED.

ClimbTech, LLC.

7303 Burleson Rd. Suite 901 Austin, TX 78744

1(512) 308-6440 / www.climbtech.com