

PERFORMANCE:
Static Tensile Strength: 10,000-lbf (44kN)
Maximum Capacity:
 Reference "Use Limitations" for details

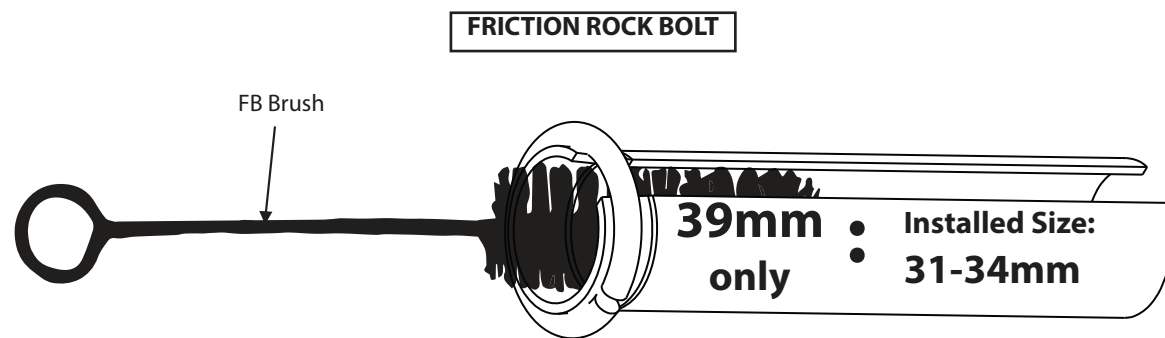
DIMENSIONS:
Weight: 1.2-lbs (544g)
Length: 17" (432mm)
Diameter: 1.5" (39mm)

REGULATORY COMPLIANCE:
 OSHA 1926.502, OSHA 1910.66,

COMPONENT MATERIALS:
Aluminum: Trigger
Aircraft Cable: Main Cable, Activator Wire
Coated Steel: Thimble Loop
Stainless Steel: Cone, Spoons, Stop Sleeve
Zinc Plated Steel: Spring
Zinc Plated Copper: Swage

INSTALLATION:

1. Use the provided FB brush to clean and remove any debris in the friction rock bolt.
2. When placing anchorage connector, place your thumb inside the anchor loop and your first two fingers around the trigger. Squeeze fingers and thumb together until the trigger and spring fully compress.
3. Insert unit at least 4" (102mm) deep into friction rock bolt (do not force) and release the trigger.
4. Set the unit with a slight tug on the anchor loop.
5. The stop sleeve must always be partially inserted into the hole.



***Clean friction rock bolt with FB brush before installation.**

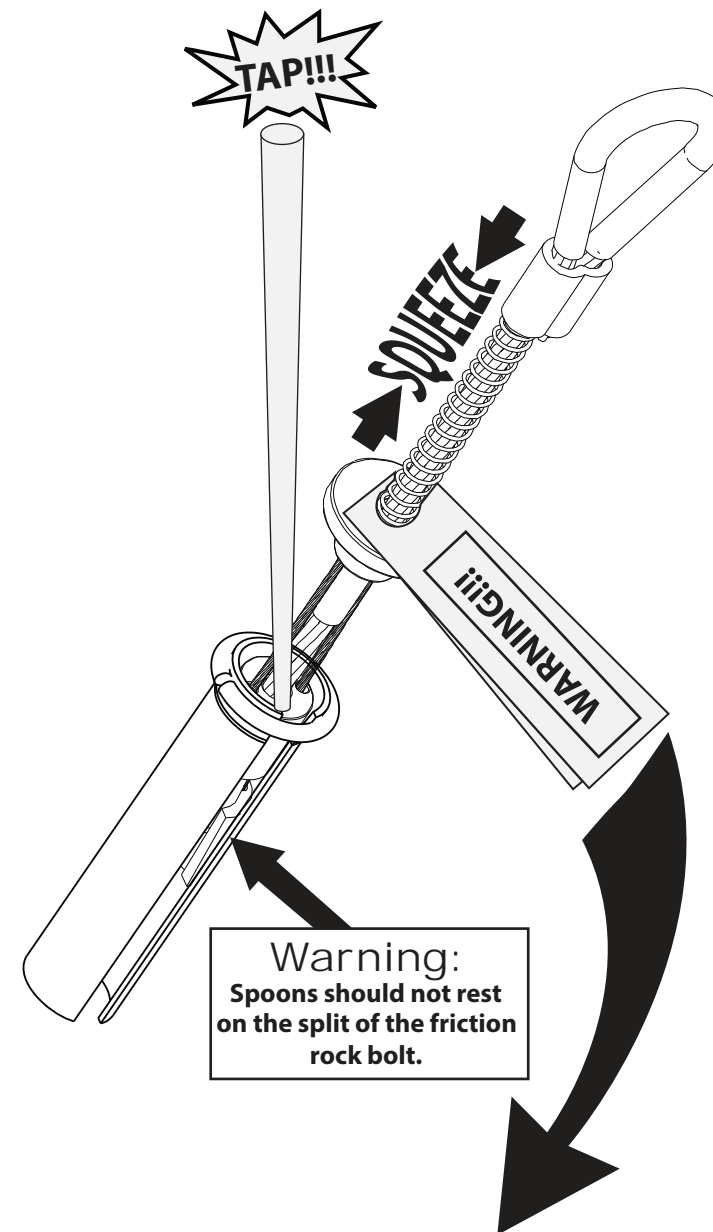


IMPORTANT!!!

Installation location of the friction rock bolt to be able to handle a 10,000-lbf (44kN) load and be approved by a qualified person.

REMOVAL INSTRUCTIONS:

1. When removing anchor, place your thumb inside the anchor loop and your first two fingers around the trigger. Squeeze fingers and thumb together till the trigger and spring fully compress.
2. While squeezing the trigger pull the anchor out of the splitset.
3. If the anchor becomes stuck, insert a punch, screwdriver or other object into the splitset until it touches the top of the cleaning bushing.
4. Lightly tap with a hammer making sure the tool is touching the top of the cleaning bushing while squeezing the trigger. (The cleaning bushing should be easily visible at the edge of the hole).
5. If tool was required to remove the anchor inspect thoroughly for damage after removal. If damage is found remove from service and destroy immediately.



DO NOT REMOVE WARNING LABEL!

Compliance: OSHA 1926.502 & 1910.66

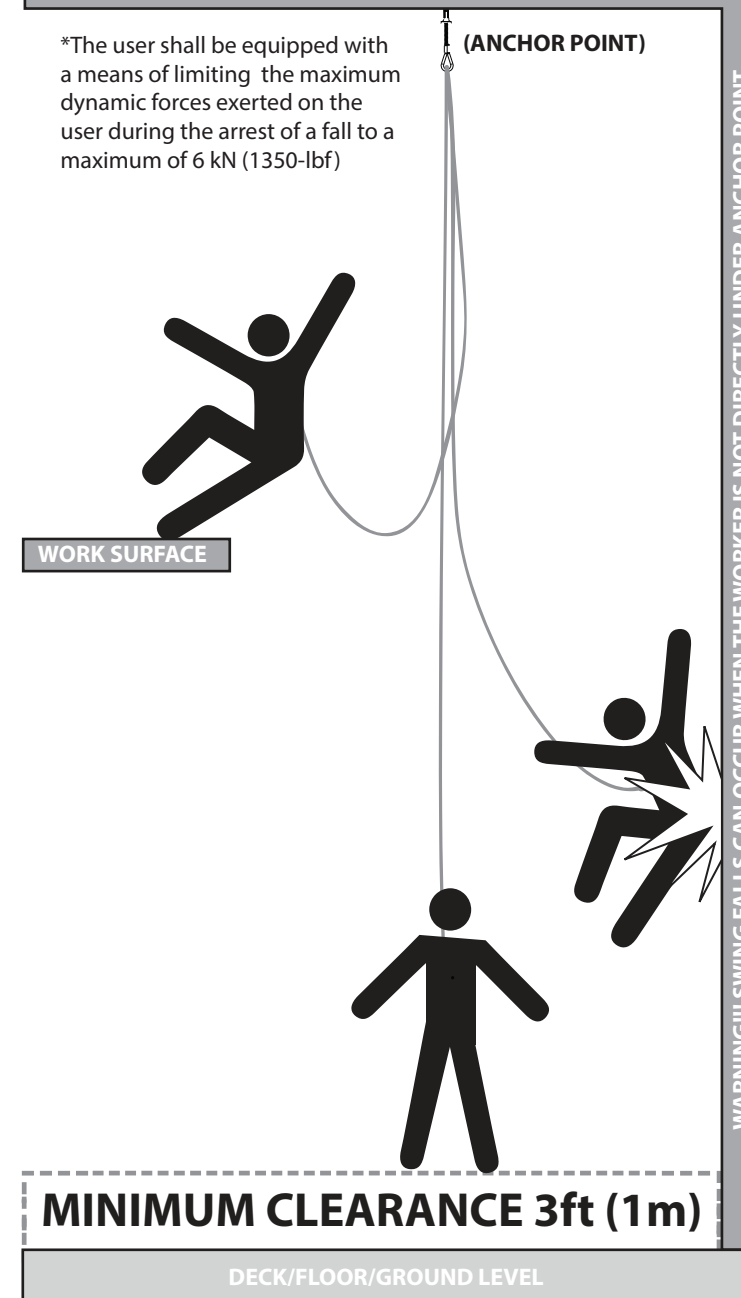
WARNING!!!
 ALL PERSONS USING THIS EQUIPMENT MUST READ AND UNDERSTAND ALL INSTRUCTIONS. FAILURE TO DO SO MAY RESULT IN SERIOUS INJURY OR DEATH. USERS SHOULD BE FAMILIAR WITH PERTINENT REGULATIONS GOVERNING THIS EQUIPMENT. ALL INDIVIDUALS WHO USE THIS PRODUCT MUST BE PROPERLY INSTRUCTED ON HOW TO USE THIS DEVICE.

ClimbTech
 Removable Bolt
 Model: FEMARON
 FEM-SP-5-CLT / 1m/3.3ft
 INSPECT BEFORE USE

1-(512) 308-6440

WORK SURFACE

*The user shall be equipped with a means of limiting the maximum dynamic forces exerted on the user during the arrest of a fall to a maximum of 6 kN (1350-lbf)



MINIMUM CLEARANCE 3ft (1m)

All products subjected to fall arresting forces should be removed from service immediately!