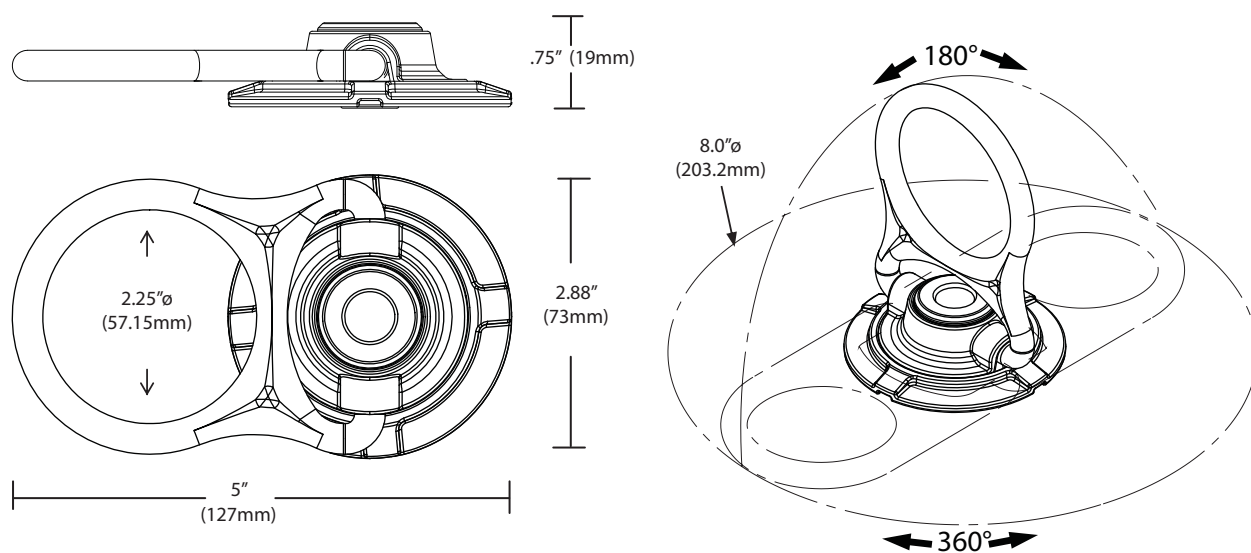


DESCRIPTION

ClimbTech 5,000-lbf / 22kN Swivel Anchor.

Weighing only 386g (.85-lbs) the Swivel Anchor can be installed on concrete and steel structures with a variety of installation kits available to suit your application.



SPECIFICATIONS

- ▼
UTS
 5,000-lbf / 22kN
- ▼
Max User Weight
 310-lbs / 140kg
- ▼
Working Load
 1000-lbs / 454kg

MATERIALS

- ▼
Swivel
 Zinc Plated Steel

PRODUCT CONFIGURATIONS

MODEL	APPLICATION	COLOR	LOADING	WEIGHT
SWY050N	Swivel Only	Gold Zinc	5,000-lbf (22kN)	386g
SWY050S	Steel Mounting	Gold Zinc	5,000-lbf (22kN)	510g
SWY050C	Concrete Mounting	Gold Zinc	5,000-lbf (22kN)	530g