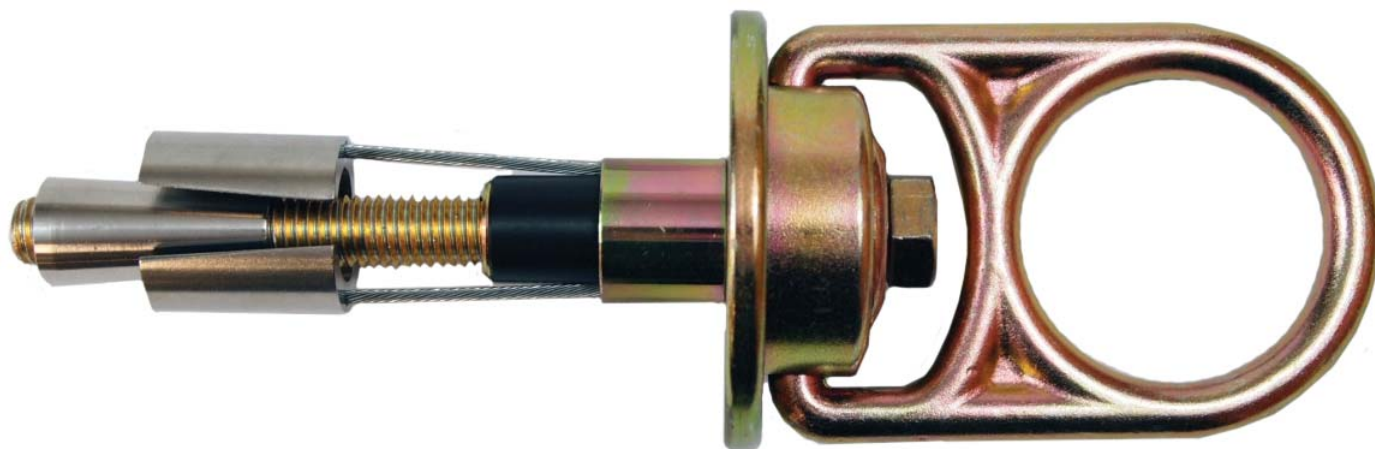


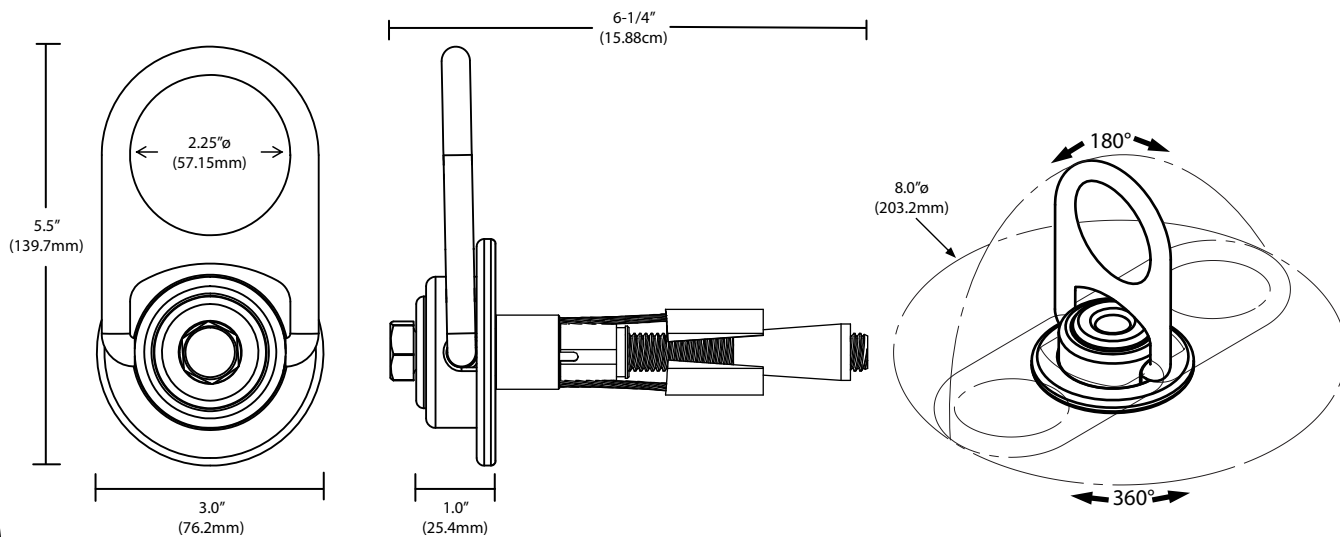
DESCRIPTION

Hybrid Concrete Anchor (10,000 lbf / 44kN)

The Hybrid concrete anchor combines the technology of our standard 10,000 lbf (44 kN) Swivel Anchor with our 10,000 lbf (44 kN) Removable Anchor. The result is a high strength swivel that is designed for repeated use in concrete applications, completely retrievable and re-usable.



SWH100Y



SPECIFICATIONS

- ▼ **UTS**
 10,000-lbf / 44kN
- ▼ **Max User Weight**
 310-lbs / 140kg
- ▼ **Working Load**
 2000-lbs / 908kg

MATERIALS

- ▼ **Swivel**
 Zinc Plated Steel
- ▼ **Bushing**
 Polyethylene
- ▼ **Bolt**
 Zinc Plated Steel
- ▼ **Sleeve**
 Zinc Plated Steel
- ▼ **Cone**
 Stainless Steel
- ▼ **Spoons**
 Stainless Steel
- ▼ **Return Wire**
 Aircraft Cable
- ▼ **Retaining Bushing**
 Zinc Plated Steel

PRODUCT CONFIGURATIONS

MODEL	APPLICATION	COLOR	LOADING	WEIGHT
SWH100Y	Concrete Mounting	Gold Zinc	10,000-lbf (44kN)	949g